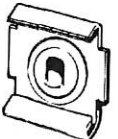
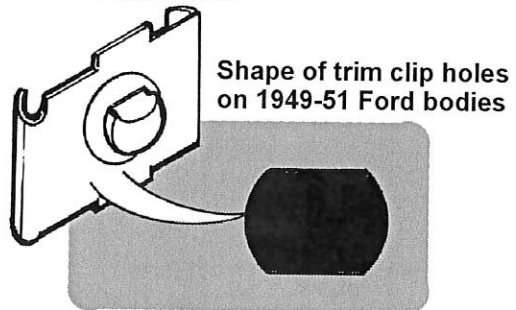


1A-20000-A
& 8A-20000-A

YOU NEED TO KNOW

that our 1949-50 and 1951 Ford car side Moulding Trim Clip Kits contain clips that are of original Ford design and will work only in holes of the flat sided circle shape as shown below. If your car's side molding holes on the doors and quarter panels have been enlarged due to rust or have been modified beyond the original configuration clips #352362-S and 357316-S will not work.



357316-S

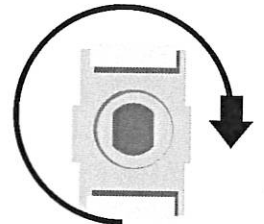


352362-S

HOW TO LOCK THE TRIM CLIP



Place trim clip into hole



1/4 turn to lock into place