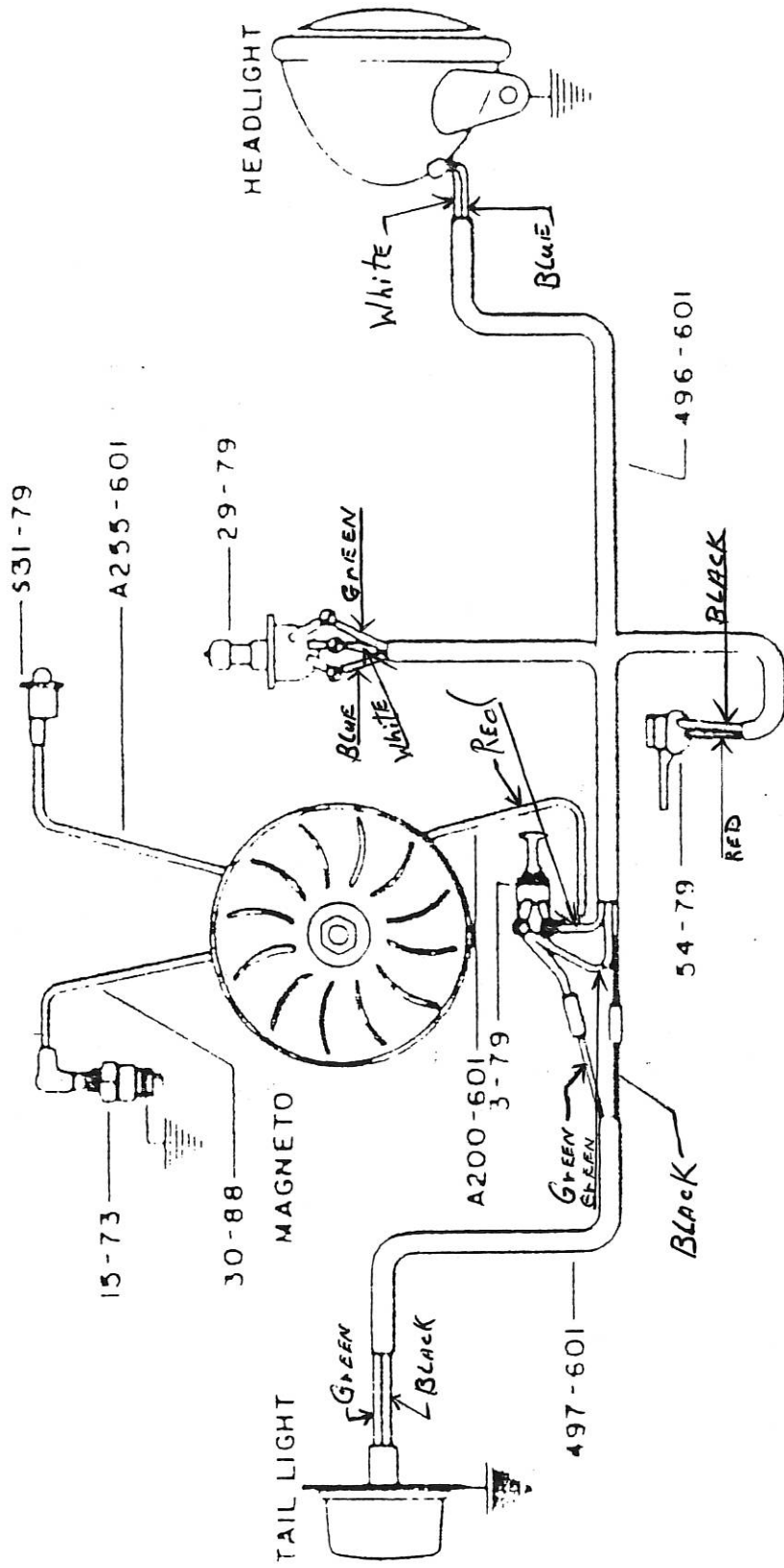


20009
1958 HIGHLANDER
ONLY
WIRE HARNESS

DEWIS
CARPENTER
CUSHMAN
MOTOR SCULPT
REPRODUCTION



WIRING—SWITCHES FOR MODELS 721