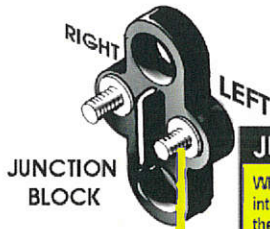




DENNIS CARPENTER
FORD TRACTOR RESTORATION PARTS

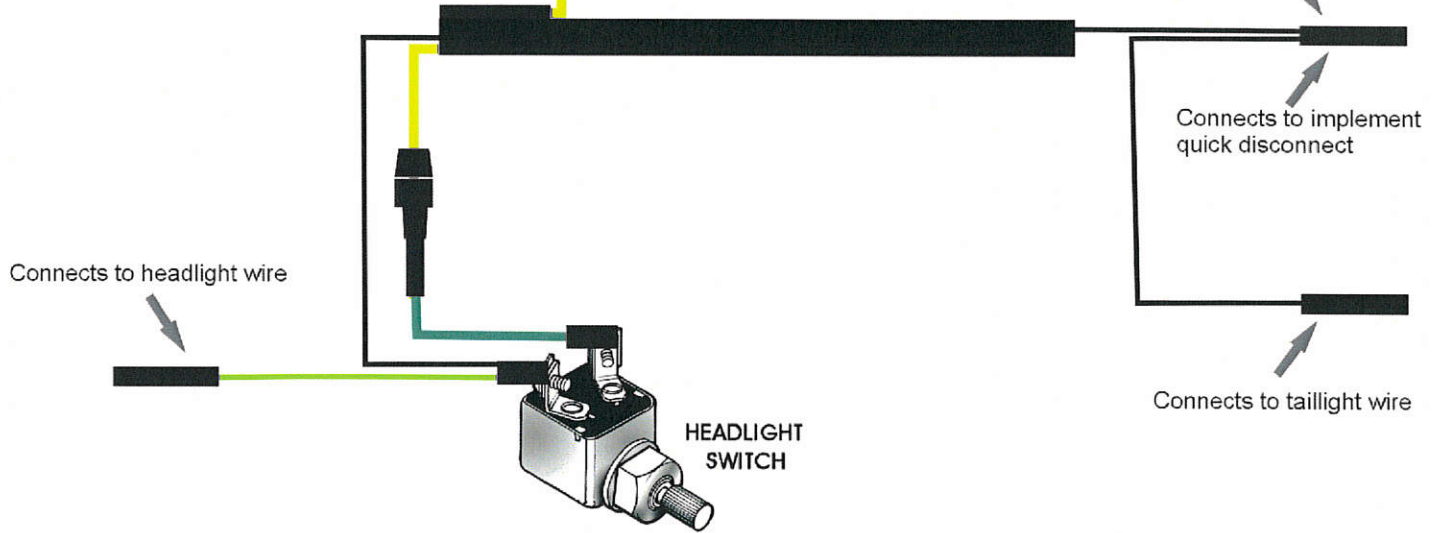
4140 Concord Parkway So., Concord NC 28027
 704-786-8139 www.dennis-carpenter.com

Main Lighting Harness Wiring Diagram #310993



JUNCTION BLOCK
 When the junction block is mounted into position on the tractor the clutch pedal side is left. The brake pedal side is right.

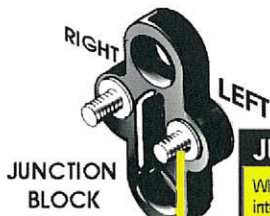
NOTE:
 This lead is also the power source for the worklight with the use of 59A-14487 four way connector.



DENNIS CARPENTER
FORD TRACTOR RESTORATION PARTS

4140 Concord Parkway So., Concord NC 28027
 704-786-8139 www.dennis-carpenter.com

Main Lighting Harness Wiring Diagram #310993



JUNCTION BLOCK
 When the junction block is mounted into position on the tractor the clutch pedal side is left. The brake pedal side is right.

NOTE:
 This lead is also the power source for the worklight with the use of 59A-14487 four way connector.

