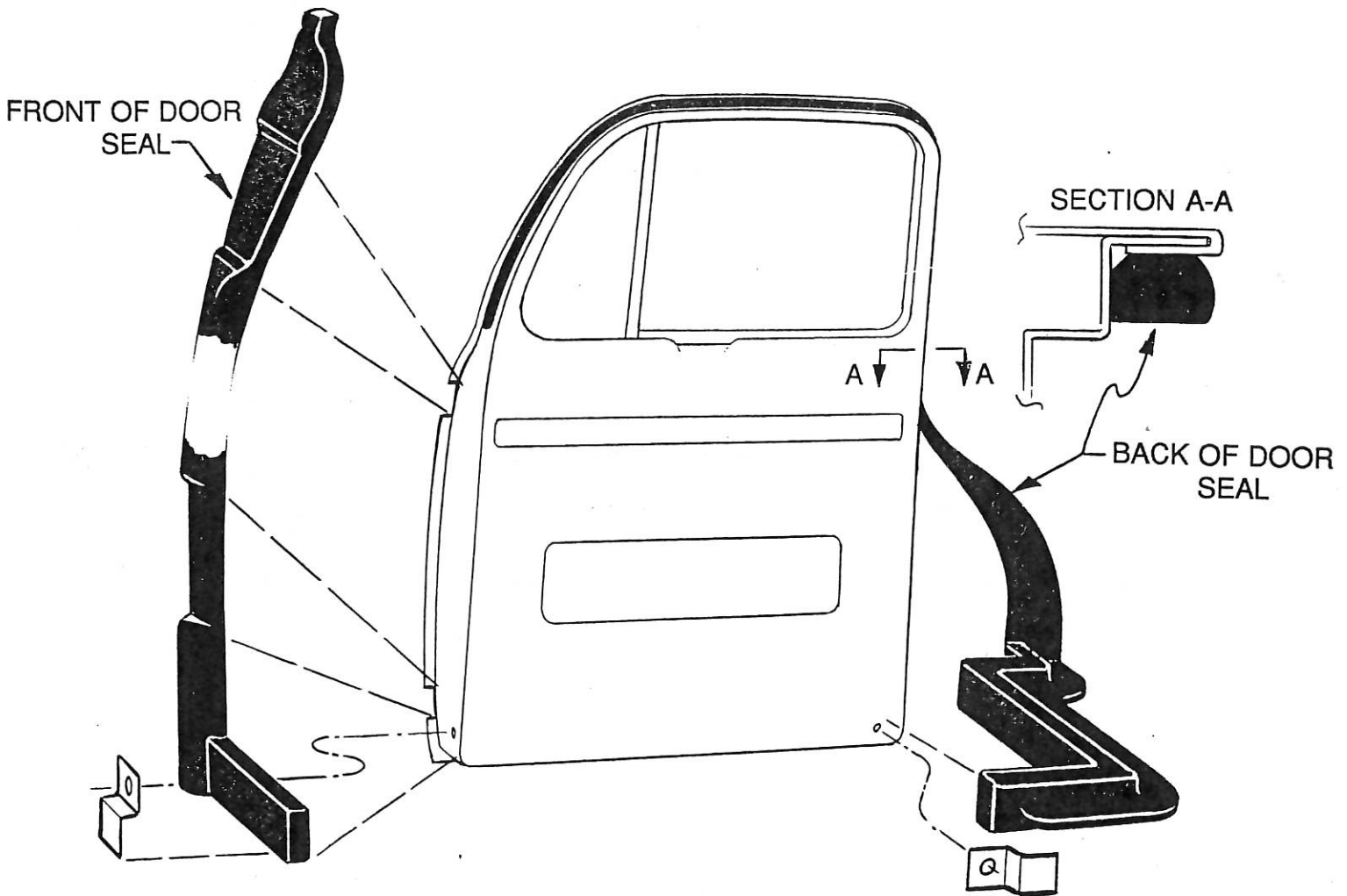


INSTALLATION INSTRUCTIONS FOR 1948-52
PICK-UP DOOR SEAL KIT



STEP #1

1. Remove pin inside door on door check arm or remove door.
2. Before gluing, place front of door seal on door.
The two notches in the rubber must line up with the hinges.
 - A. Line up bottom hinge with notch and glue.
 - B. Line up the top hinge with notch and glue.
 - C. Glue on balance of part. If you have extra rubber do not cut it apart, just work it towards each other.

STEP #2

1. Back of door seal. Before gluing lay part on door.
2. Glue Z-shaped part on door, working way up back across top and down front of door until part meets front of door seal. Cut to fit where it butts against front of door seal.

STEP #3

1. Install lower door seal in retainer on body.

8C-8120530-R