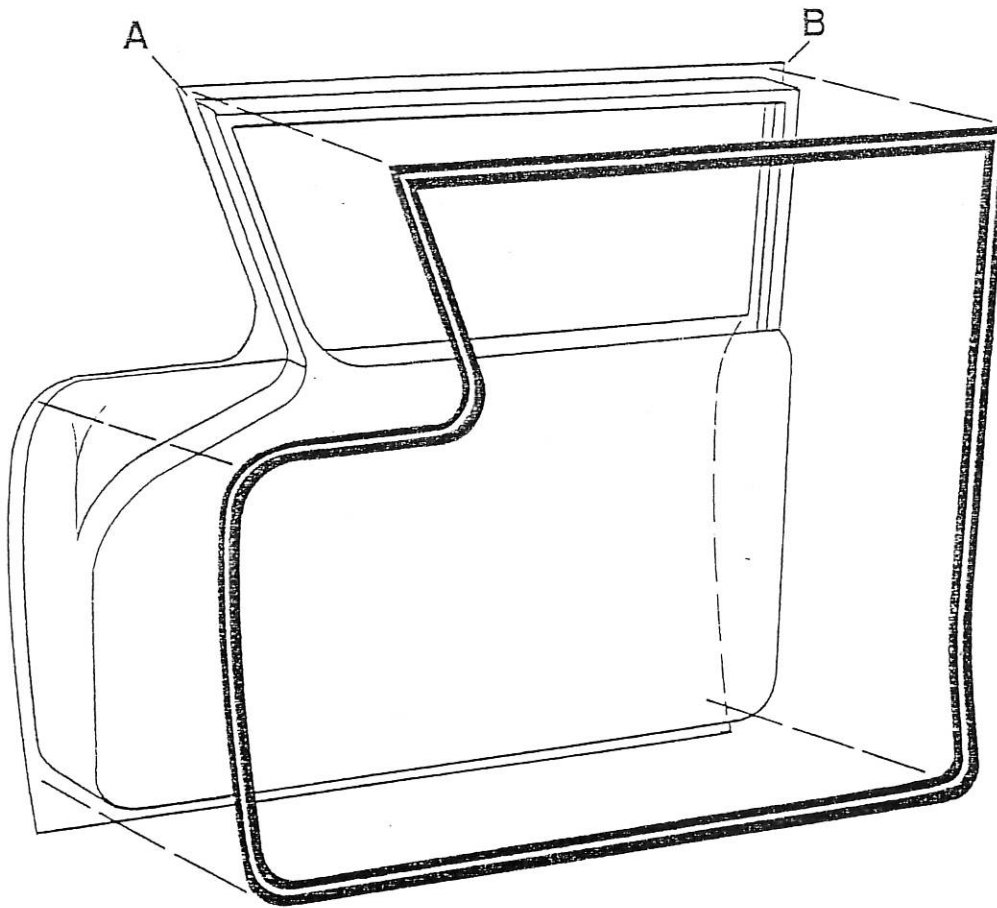


INSTALLING INSTRUCTIONS
FOR 1957-58 FORD DOOR SEALS
ALL 2-DOOR SEDANS MODEL #64



STEP 1. PLACE THE NEW DOOR SEAL IN POSITION AS SHOWN IN THE ABOVE DRAWING.

STEP 2. GLUE THE DOOR SEAL TO THE DOOR ALONG THE TOP, BETWEEN "A" AND "B", THEN DOWN THE FRONT SIDE, ALONG THE BOTTOM AND UP THE BACK SIDE TO POINT "B".

NOTE: AS YOU ARE GLUEING THE DOOR SEAL IN PLACE BE CAREFUL NOT TO STRETCH THE RUBBER AS IT FITS TO THE SHAPE OF THE DOOR.