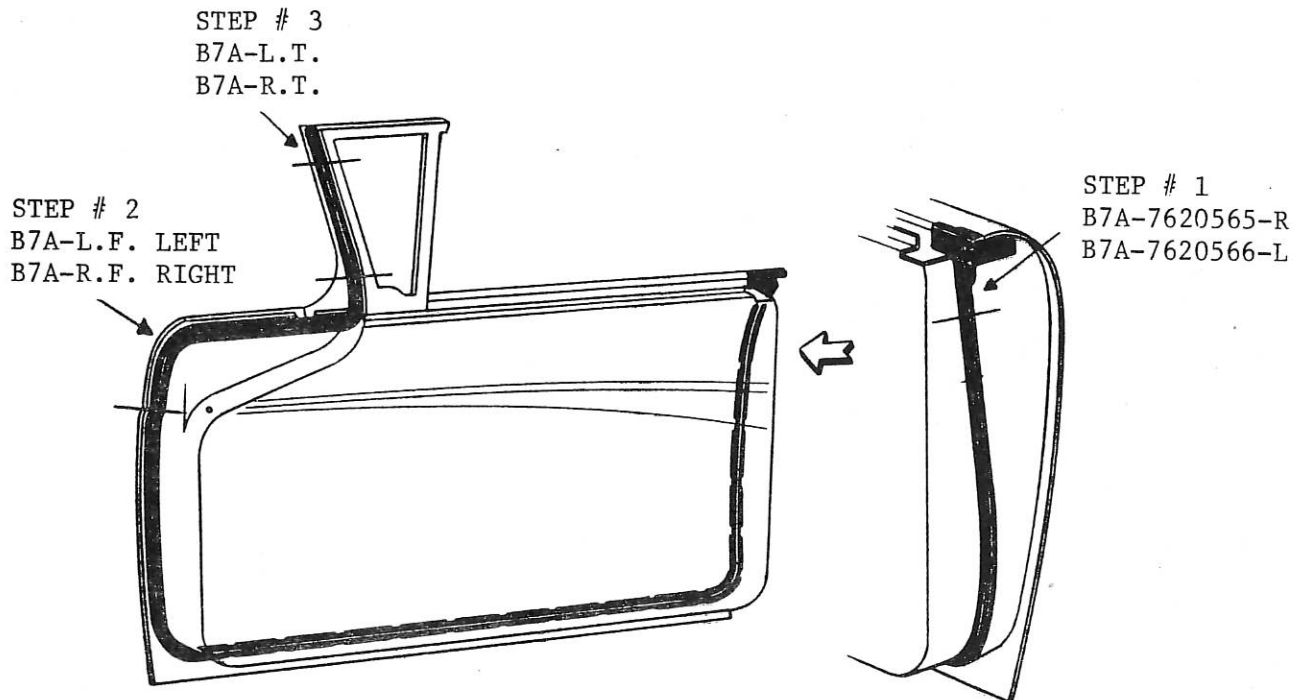


INSTALLING INSTRUCTIONS
FOR FORD 1957-58 DOOR SEALS
FOR 2 DR HARDTOP, RETRACTABLE & CONVERTIBLE



Installing instructions are as follows:

- STEP # 1 Glue and attach B7A-7620565-R RIGHT and B7A-7620566-L LEFT rubber seal to upper rear of door.
- STEP # 2 Glue and attach B7A-L.F. LEFT and B7A-R.F. RIGHT to upper front of door (Dog leg).
- STEP # 3 Glue and attach B7A-L.T. and B7A-R.T. rubber seal to top front of vent window frame assembly.
- STEP # 4 Glue and attach extrusion between dog leg (STEP # 2) and seal on top front of vent window frame assembly (STEP # 3).
- STEP # 5 Glue and attach extrusion starting at dog leg (STEP # 2) down front of door, across bottom of door and up back of door. Fit this extrusion up to bottom of B7A-7620565-R, B7A-7620566-L (STEP #1). Trim off excess rubber and finish gluing.
- STEP # 6 Readjust striker plate so door will close properly.