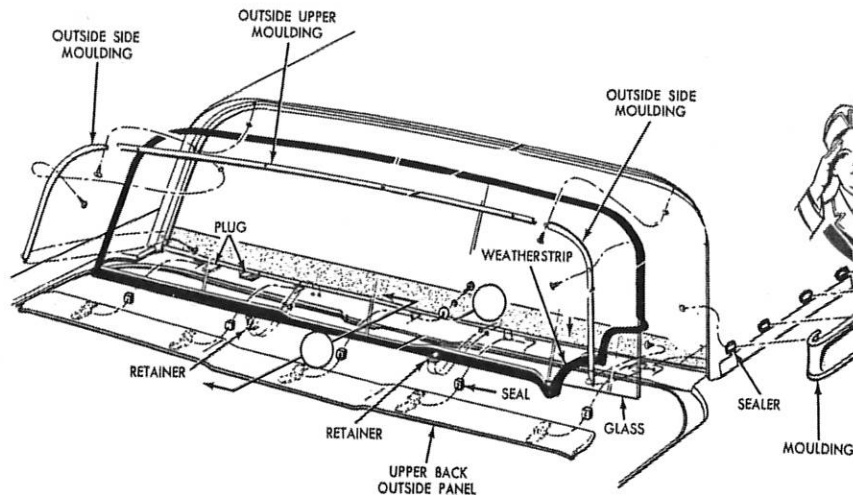


#B8S-6342084-A 1958-60 Ford Thunderbird Rear Window Seal Installation



HELPFUL TIPS

NOTE

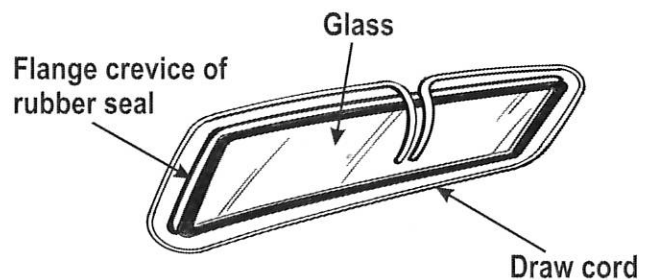
It is recommended to use an auto glass sealer when installing the new rubber window seals to prevent possible leaking. Permatex Auto Glass Sealer 7651259 is one example.

Use masking tape to temporarily hold the seal onto the glass before installing the window. After the window has been installed the tape can be removed.

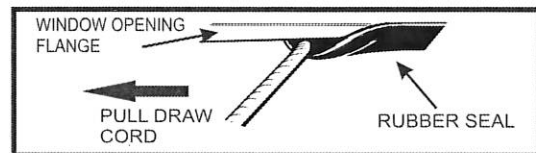
Installing Rear Window Rubber Seal

1. Remove the five screws retaining the upper outside molding and remove the molding.
2. Remove the back window outer side molding retaining screws from each side and remove the molding.
3. Open the deck lid, remove the 5 window outer back panel attachment bolts and remove the back panel.
4. Remove the 3 package tray retaining screws and remove the 2 attaching clip retainer nuts and clips. Remove the 2 weather strip retainers from the outer bottom edge of the back window.
5. Remove the window center inside molding cap retainer screws and remove the molding.
6. Remove the left and right inside molding retainer screws and remove the moldings. Remove the package tray panel.
7. From the inside, loosen the weather strip at the flange and push the window and weather strip out of the opening.
8. Remove the weather strip from the glass. Clean the old sealer from the back window body flange.
9. Apply sealer to the back window body flange.
10. Apply sealer to the weather strip in the groove for the glass and position the weather strip on the glass.
11. Apply a soapy water solution to the flange area of the weather strip and install a draw cord in the flange crevice with a 12 inch overlap at the top center.
12. Position the glass assembly in the opening. Have a helper apply pressure from the outside and pull the weather strip over the flange with the draw cord. Alternate from side to side when pulling the draw cord to keep the installation even.
13. Install the 2 weather strip retainers at the outer bottom edge of the back window. Position the left and right outer side moldings and belt molding retainer clips and install the attaching screws. Install upper outside molding.
14. Position the package tray, the retainer screws and the attaching clips with retainer nuts. Position the window outside back panel and install the attaching bolts.
15. Position the left and right inside moldings and install the retainer screws. Position the inside cap molding and install the retainer screws.

Apply a soap/water solution to the flange area of the weather strip, then install a draw cord into the flange crevice of the weather stripping. Allow about 12 inches overlap at the top center.



Install draw cord into flange crevice of rubber seal around entire window.



Position the glass assembly in the opening from the inside and have a helper apply pressure to the inside of the glass. From the outside, begin pulling the draw cord. This procedure allows the weather stripping to be pulled over the flange area. Alternate from side to side when pulling the cord to keep the installation even.



4140 Concord Parkway So., Concord, NC 28027
 (704) 786-8139 email: info@dennis-carpenter.com
www.dennis-carpenter.com