

1959 Ford Passenger Car Windshield Seal Installation

Applies to: B9A-6403110-B and B9A-7603110-B



HELPFUL TIPS

Use masking tape to temporarily hold the rubber seal onto the glass. This will keep the seal from falling off the windshield during installation. Afterwards the tape can be removed.

NOTE

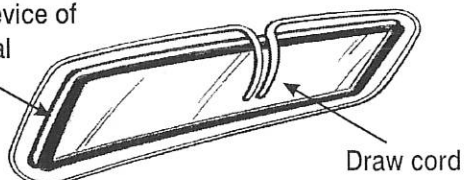
It is recommended to use an auto glass sealer when installing new rubber window seals to prevent possible leaking. Permatex Auto Glass Sealer 7651259 is one example.

INSTALLING WINDSHIELD RUBBER SEAL

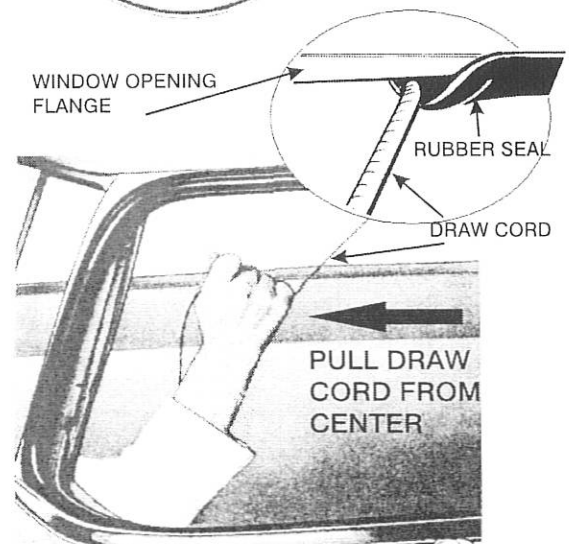
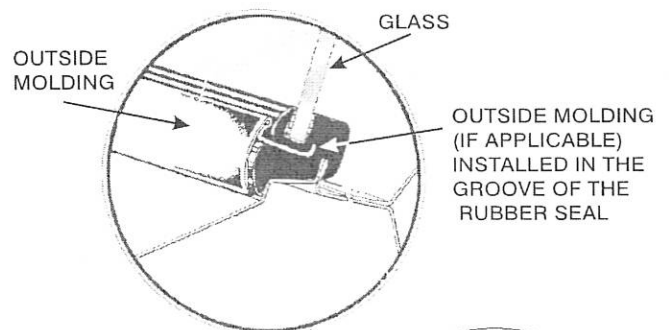
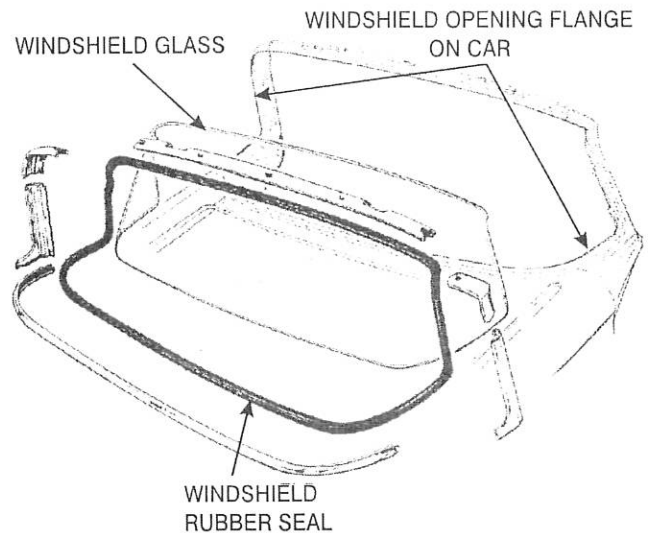
1. Remove old weather stripping and weather stripping sealer from the windshield opening flange on the car. Clean flange area thoroughly.
2. Trial fit the rubber seal onto the windshield glass. This allows you to orient how the seal should fit on the glass. Remove the seal and prepare it for sealer application. Permatex Auto Glass Sealer 7651259 can be used.
3. Apply a continuous bead of sealer to the windshield opening flange on the car then apply a continuous bead of sealer into the glass crevice of the rubber seal. Install the rubber seal onto the glass and tape into position.

typical draw cord installation

Flange crevice of rubber seal



4. Apply a dish soap / water solution to the flange area of the rubber seal. This will lubricate the seal and ease installation. At this time install the moldings (if applicable) into the grooves of the rubber seal. Position a draw cord in the weather strip groove all around the windshield, and overlap the cord about 18" at the top center.
5. Position the windshield in the opening and have a helper apply pressure to the outside of the glass. From the inside begin pulling the draw cord from the center, across the top and around each lower corner, finishing at the bottom center of the windshield. This allows the rubber seal to be pulled over the window opening flange area. Alternate from side to side when pulling the cord to keep the installation even.
6. Once the windshield has been installed, tap the windshield around the perimeter with the palm of your hand to ensure that the rubber seal has been seated into the window opening flange.
7. Install the outside top molding clips and top molding (if applicable).
8. Install the screws at either end of the lower outside molding and install the up right side moldings



4140 Concord Parkway So., Concord, NC 28027
(704) 786-8139 email: info@dennis-carpenter.com
www.dennis-carpenter.com