

B9A-7320530-SET 1959 Ford 4-Door Sedan, Door Seal Installation

NOTE:

It is necessary to use a weather stripping adhesive to install the door seals. Dennis Carpenter recommends and sells 3M brand weather stripping adhesive. Our part # is COAZ-19554-A



Experience has shown us that taping the door seal into position before any adhesive is applied allows you to check the fit of the seal and also aides in applying the seal.

Apply the adhesive to the door, not the seal. Glue around the door as described in the instructions below.

The best (and cleanest) results comes from glueing a section of the door at a time by removing the tape, applying the glue then reapplying the tape to hold the seal into position. After the adhesive has cured you can remove the tape.

Remember that new door seals are more resilient to compression and will cause your doors to close tightly.

FRONT DOOR SEALS INSTALLATION

STEP 1

Remove the old door seals and glue material from the doors. Clean doors thoroughly where the seals are to be adhered. A degreaser / wax remover solution is recommended.

STEP 2

Place the front door seal weatherstrip in position on the door as shown, starting at point A. On the door seal at that location are the numbers B7A-7020572-R (right hand), and B7A-7020573-L (left hand).

STEP 3

Cut about 20 pieces of masking tape, each approximately four inches long, to hold the door seal on the door along the sides and bottom. Un tape a small section of door seal from the door, apply the glue then reapply the tape to secure the seal to the door. Repeat this procedure until the entire seal is secured to the door.

STEP 4

Once the glue has cured the tape can be removed.

REAR DOOR SEALS INSTALLATION

STEP 1

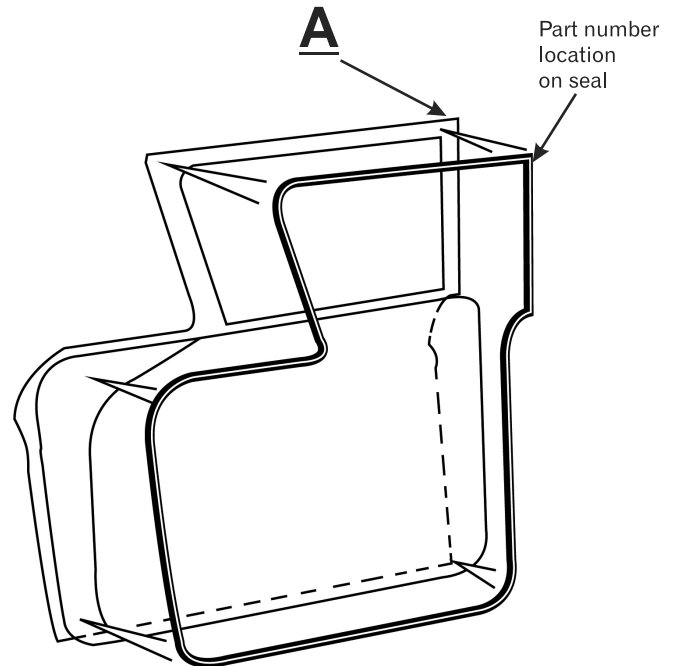
Remove the old door seals and glue material from the doors.

STEP 2

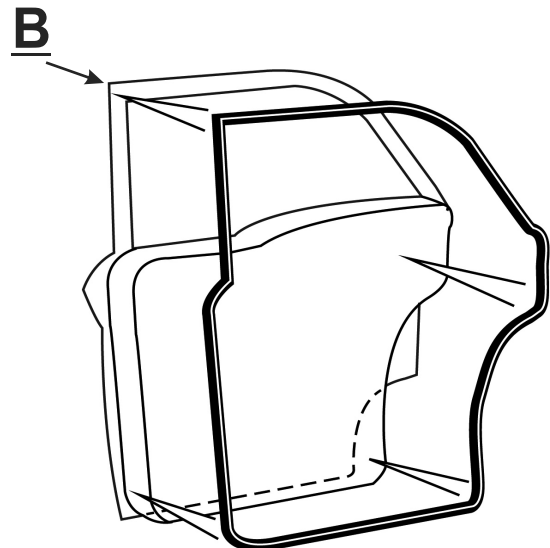
Place the rear door seal weatherstrip in position on the door as shown, starting at point B.

STEP 3

Glue the rear door seals using the same procedure as described on the front door application above.



FRONT DOOR SEAL



REAR DOOR SEAL

