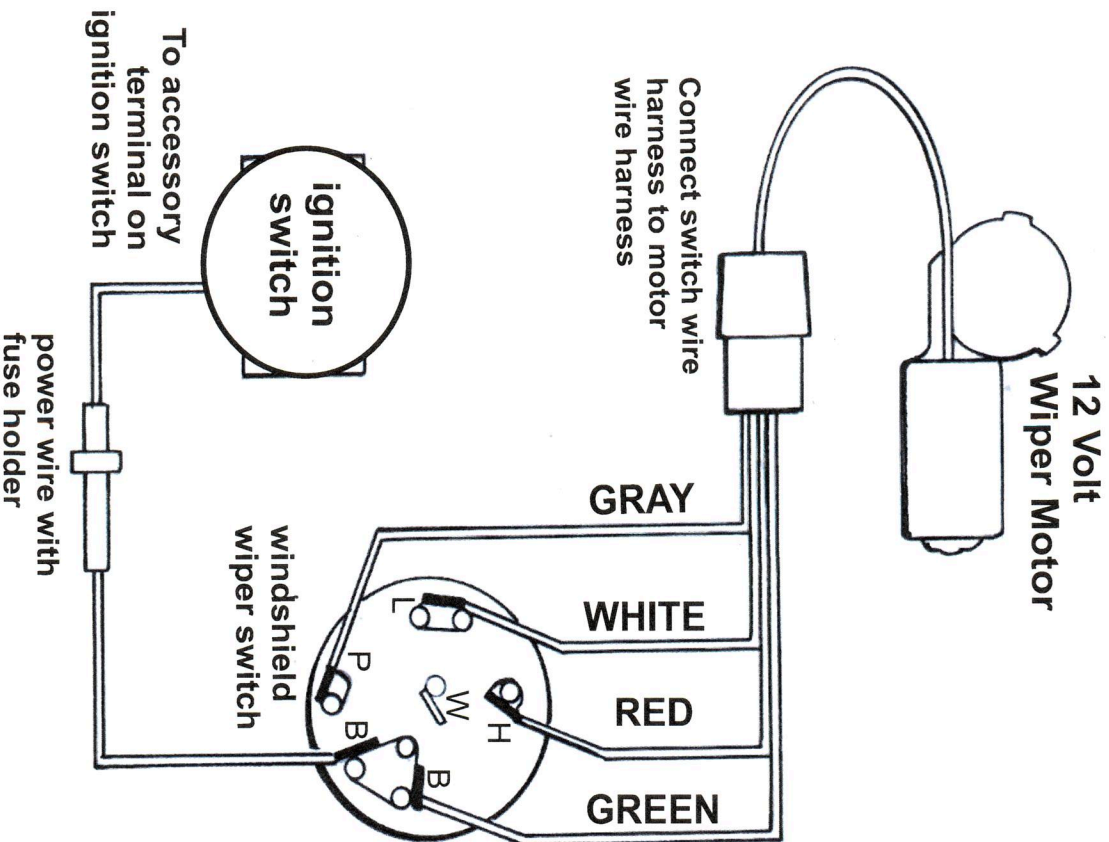


C1TZ-17508-RR 1961-66 Ford pickup windshield wiper motor installation

WIRE CONNECTIONS FROM MOTOR TO SWITCH AND SWITCH TO POWER SOURCE



WIRING AND SWITCH INSTALLATION

STEP 1

Remove vacuum windshield wiper control switch from the dash.

STEP 2

Connect the wire harness from the wiper motor to the windshield wiper switch. (See the diagram at left for proper wire placement.)

STEP 3

Install and secure the electric wiper motor switch into the hole which held the original wiper control. Reinstall the knob onto the switch.

STEP 4

Connect the power / fuse wire from the electric on-off wiper switch to the accessory terminal located on the ignition switch.



21 Carpenter Ct NW, Concord, NC 28027
(704) 786-8139 email: info@dennis-carpenter.com
www.Dennis-Carpenter.com

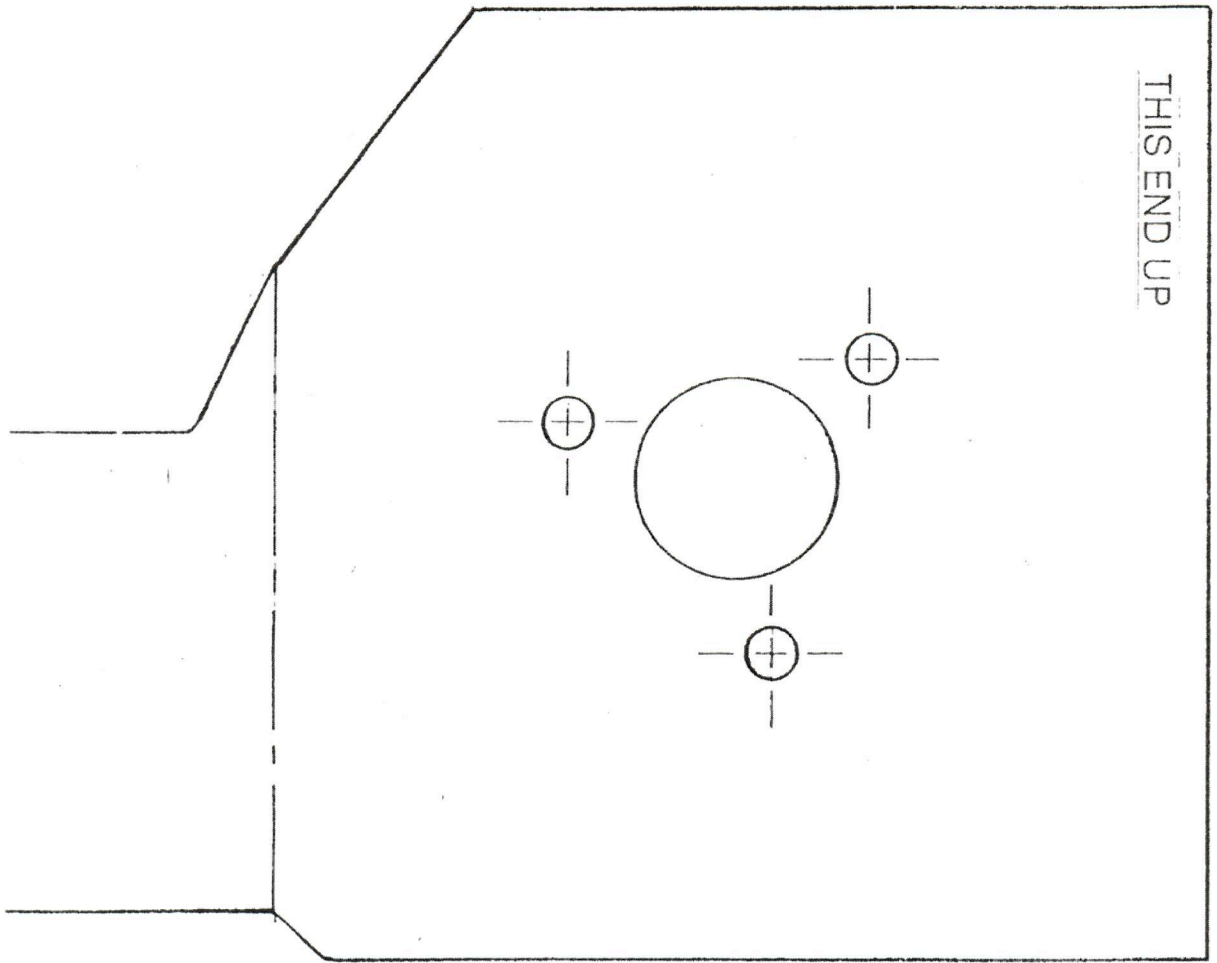
NOTICE: CHECK THE FUSE

If after installation your electric wiper motor does not run, make sure that the inline fuse has not blown.

1961-66 Ford Pickup Wiper Motor Conversion Drilling Pattern

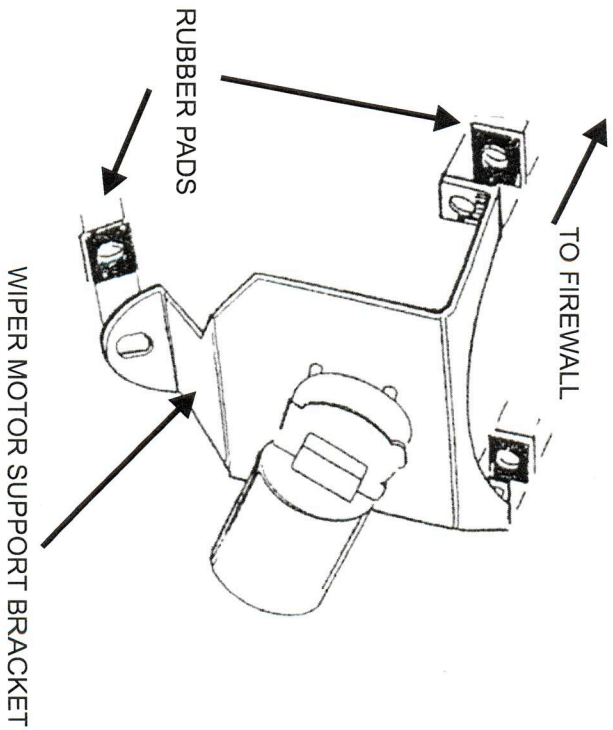
CUT OUT

THIS END UP



When installing this electric wiper motor kit it is necessary to remove the original wiper motor and motor support bracket from the vehicle and redrill the holes on the original support bracket to accept the new motor. Use the drilling template on this sheet to locate the new holes. The required drill size is 19/64".

CUT OUT



Insert the three rubber pads between the wiper motor support bracket and the firewall when reinstalling the support bracket.

