

## INSTALL WINDSHIELD WIPER MOTOR

- 1 Disconnect vehicle battery.
- 2 Remove wiper arms and blades from the vehicle.
- 3 Disconnect the wiper motor wiring harness from the wiper switch.
- 4 From under the dash, remove the 3 bolts that hold the wiper motor mounting bracket and motor assembly to the firewall.

### 5 MAKE NOTE OF THE POSITION OF THE WIPER MOTOR ARM ON THE OLD MOTOR.

Remove the retaining clip that secures the transmission arms to the motor arm. Remove the transmission arms from the wiper motor arm.

- 6 Remove the old wiper motor from the mounting bracket.

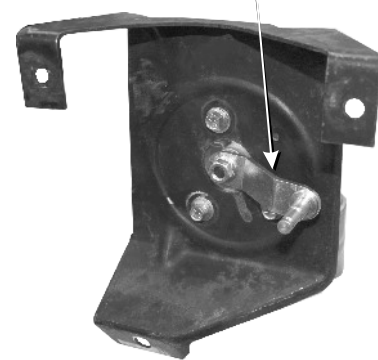
7 Remove and discard the original grommets from the motor mounting bracket. The new motor assembly mounts directly to the mounting bracket and does not require grommets.

- 8 Mount the new motor onto the original mounting bracket using the 3 supplied bolts.

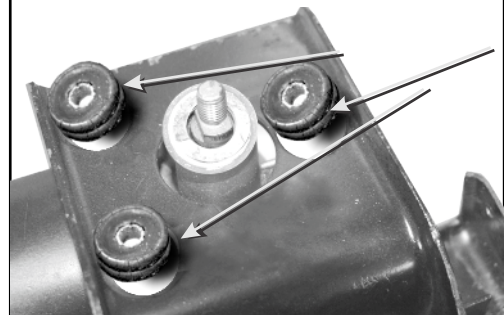
**CONTINUE INSTRUCTIONS ON REVERSE SIDE**



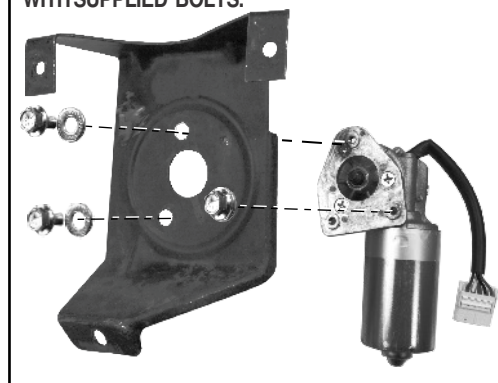
### 5 MAKE NOTE OF THE POSITION OF THE WIPER MOTOR ARM ON THE OLD MOTOR.



### 7 REMOVE THE ORIGINAL GROMMETS FROM THE MOTOR MOUNTING BRACKET.



### 8 MOUNT NEW MOTOR TO MOTOR BRACKET WITH SUPPLIED BOLTS.



21 Carpenter Ct NW, Concord, NC 28027-4627  
(704) 786-8139 email: info@dennis-carpenter.com  
[www.Dennis-Carpenter.com](http://www.Dennis-Carpenter.com)

**9** Install wiper motor arm onto new wiper motor in the same position as the original. Secure with supplied nut.

**10** Install wiper transmission arms onto the wiper motor arm. Secure with supplied retaining clip.

**11** Install the wiper motor mounting bracket and motor assembly to the firewall.

**12** Connect the white terminal end of the wiper motor wiring harness to the wiper motor.

**13** Connect the black terminal end of the wiper motor wiring harness to the wiper switch.

**14** Connect the male bullet terminal (orange wire) from the wiper motor wiring harness into the power source wire from the vehicle that provides power to the wiper switch.

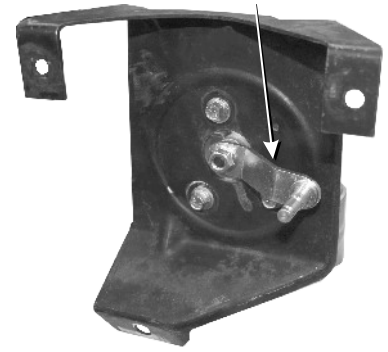
**15** Reconnect the vehicle battery.

**16** Viewing from under the dash at the wiper transmission arms, turn ON the wiper motor to make sure the transmission arms run freely. Turn the switch OFF and observe that the transmission arms come to rest in the same position as they did originally.

**17 IMPORTANT:** Turn the wiper switch ON and OFF several times to verify that the wiper motor stops in the PARK POSITION.

**18** Reinstall the windshield wiper arms and blades onto the vehicle.

**9** INSTALL THE WIPER MOTOR ARM ONTO THE NEW WIPER MOTOR SHAFT IN THE SAME POSITION AS IT WAS ON THE OLD WIPER MOTOR.



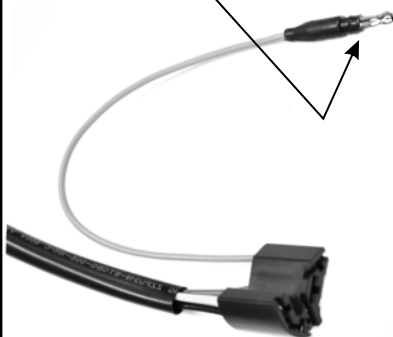
**10** INSTALL WIPER TRANSMISSION ARMS ONTO WIPER MOTOR ARM. SECURE WITH RETAINING CLIP.



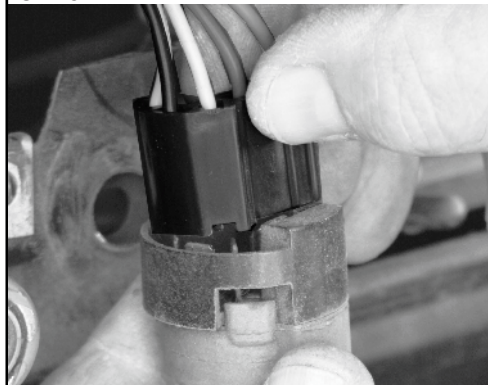
**11** INSTALL WIPER MOTOR ASSEMBLY TO THE FIREWALL.



**14** CONNECT THE MALE BULLET TERMINAL (ORANGE WIRE) FROM THE WIPER MOTOR WIRING HARNESS TO THE POWER SOURCE WIRE FOR THE WIPER SWITCH.



**13** CONNECT THE BLACK TERMINAL END OF THE WIPER MOTOR WIRING HARNESS TO THE WIPER SWITCH.



**12** CONNECT THE WHITE TERMINAL END OF THE WIPER MOTOR WIRING HARNESS TO WIPER MOTOR.

