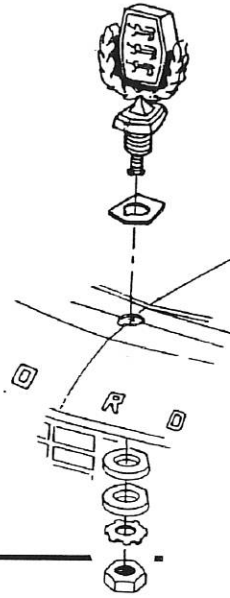
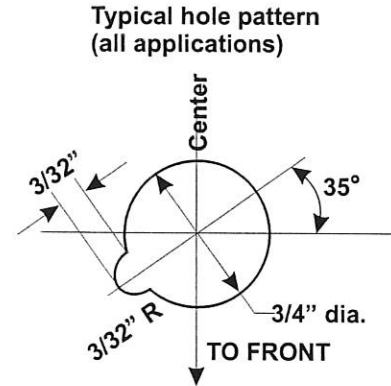


#D3AZ-16850-A Ford crest hood ornament installation. Ford/ Maverick/ Pinto/ Light Truck

FORD / TORINO Only

1. Remove grille from vehicle. Locate and drill 3/4" dia. hole as shown in view A - file locating notch as shown in view B.

2. Install ornament as shown in view at the right.



PINTO / LIGHT TRUCK

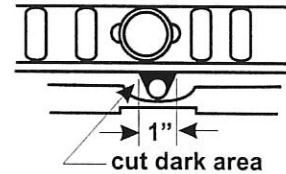
1. Centrally locate 3/4" dia. Hole on hood at the dimensions shown at right. Drill 3/4" hole and file locating notch as shown in view B.

Pintos must trim reinforcement in front of radiator as shown in "Pinto Only" view to provide clearance for spring when hood is closed: Models with A/C trim rubber shield covering reinforcement.

Light pickups must have 1 3/4" dia. clearance hole drilled from the under side of the hood for nut clearance.

2. Install ornament as shown in view at the right.

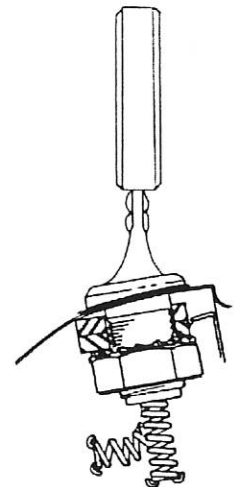
PINTO ONLY
cut reinforcement 1" wide
as shown for spring clearance



MAVERICK

1. Centrally locate 3/4" dia. Hole on hood at the dimensions shown at right. Drill 3/4" hole and file locating notch as shown in view B.

2. Using tin snips, cut a 1 3/4" hole in the under hood reinforcement panel for nut clearance. Install ornament making sure to bend the spring assembly as shown in view C-C.



Manufacturing Quality Ford Restoration Parts

704-786-8139

4140 CONCORD PARKWAY SO., CONCORD, NC. 28027

www.dennis-carpenter.com